

AROMA[®]

Breakfast To Go[™]

3-in-1 Toaster Oven



Instruction Manual

Model: ABT-103S

Congratulations!

Your **AROMA** 3-in-1 Toaster Oven will surely become one of the most versatile and practical appliances in your home. It will make your cooking fun and easy.

Please read the following instructions carefully before your first use.

Published By:

Aroma Housewares Co.
6469 Flanders Drive
San Diego, CA 92121
U.S.A.
1-800-276-6286
www.aromaco.com

© 2004 Aroma Housewares Company All rights reserved.

IMPORTANT SAFEGUARDS

Basic safety precautions should always be taken when using electrical appliances, including the following:

1. Important: Read all instructions carefully before first use.
2. Do not touch hot surfaces. Use handles or knobs.
3. To protect against electrical shock, do not immerse the appliance, cord, or plug in water or other liquid.
4. Close supervision is necessary when the appliance is used near children. This appliance is not intended for use by children.
5. Prior to plugging appliance into the wall outlet ensure temperature control is set to the "OFF" position. To disconnect, turn the temperature control to the "OFF" position, then remove plug from wall outlet.
6. Unplug from outlet when not in use and before cleaning. Allow to cool before putting on or taking off parts, and before cleaning the appliance.
7. Do not operate any appliance with a damaged cord or plug, or after the appliance malfunctions or has been damaged in any manner. Return appliance to the nearest authorized service facility for examination, repair or adjustment.
8. The use of accessory attachments not recommended by the appliance manufacturer may cause fire, electric shock or injury.
9. Do not use outdoors.
10. Do not let cord touch hot surfaces or hang over the edge of a counter or table.
11. Do not place on or near a hot burner or in a heated oven.
12. Extreme caution must be taken when removing the broiler tray and disposing of hot grease or other hot liquid.
13. Do not use the appliance for other than intended use.
14. Do not clean with metal scouring pads. Pieces can break off the pad and touch electrical parts, causing a risk of shock. Metal scouring pads may also damage the finish of the oven.
15. While in use, keep oven at least 4 inches away from walls. Place on a stable, heat-resistant surface and in a well-ventilated area. Make sure the appliance is placed on a dry and horizontal surface.
16. A fire may occur if the oven is covered or touching flammable material, such as curtains, draperies, walls, and the like, when in operation. Do not store any items on top of the appliance when in operation.
17. Do not put any of the following or similar materials in or on the oven: paper, cardboard, plastic etc.
18. The oven (glass door, top, back, and side of the oven) is very hot when in use. Be sure to use handles and wear oven mitts or gloves.
19. Oversize foods or metal utensils must not be inserted in the oven as they may create a fire or risk of electric shock.

SAVE THESE INSTRUCTIONS

(CONTINUED)

IMPORTANT SAFEGUARDS CONT.

20. Extreme caution should be used when using containers made of other than metal or glass.
21. Do not store any materials other than manufacturer's recommended accessories in this oven when not in use.
22. Do not cover any part of the oven with metal foil. This will cause overheating of the oven.
23. Always unplug the oven from the wall outlet when not in use. Do not pull the cord.
24. Electric Power: If the electric circuit is overloaded with other appliances, this appliance may not operate properly. The oven should be operated on a separate electrical circuit from other operating appliances.
25. Do not place airtight containers in the oven. The containers should be left with enough room to allow for expansion of fluid.
26. Clean the appliance regularly as built-up of grease may cause fire.
27. Stale toast, croutons and crackers may catch fire inside the appliance. We suggest your select light toast setting for these types of food and watch the toasting process carefully.
28. Do not use any sharp utensils on the glass door as it may damage the glass.
29. To prevent countertop from being damaged, the toaster oven must be operated with the crumb tray securely in place and cleaned of excess food.
30. Stop using the appliance if smoke comes from power cord. Unplug immediately.
31. Never leave the oven unattended during operation.
32. Always leave at least 1 inch between food and the top heating elements.

SAVE THESE INSTRUCTIONS

SHORT CORD INSTRUCTIONS

1. A short power-supply cord is provided to reduce risk resulting from becoming entangled in or tripping over a longer cord.
2. Longer extension cords are available and may be used if care is exercised in their use.
3. If a longer extension cord is used:
 - a. The marked electrical rating of the extension cord should be at least as great as the electrical rating of the appliance.
 - b. The longer cord should be arranged so that it will not drape over the counter top or tabletop where it can be pulled by children or tripped over unintentionally.

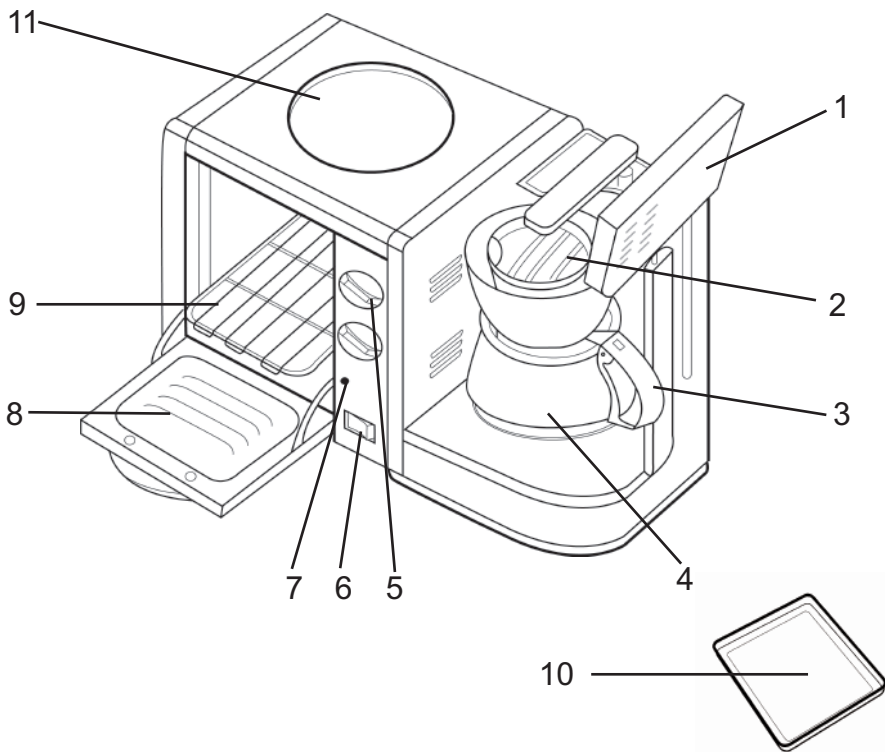
POLARIZED PLUG

This appliance has a **polarized plug** (one blade is wider than the other); follow the instructions below:

To reduce the risk of electric shock, this plug is intended to fit into a polarized outlet only one way. If the plug does not fit fully into the outlet, reverse the plug. If it still does not fit, contact a qualified electrician. Do not attempt to modify the plug in any way.

This appliance is for household use only.

PARTS IDENTIFICATION



1. Water tank lid
2. Coffee filter cone
3. Coffee maker handle
4. Coffee carafe
5. Function control and timer (from up to down)
6. Coffee maker ON/OFF switch
7. Oven ON light
8. Oven glass window with handle
9. Chrome bake rack
10. Broiler/Baking tray
11. Griddle plate

HOW TO USE

Before First Use:

1. Read all instructions and important safeguards.
 2. Remove all packaging materials and make sure items are received in good condition.
 3. Tear up all plastic bags as they can pose a risk to children.
 4. Wash accessories in warm soapy water. Rinse and dry thoroughly.
 5. Wipe body clean with a damp cloth.
- **Do not use abrasive cleaners or scouring pads.**
 - **Do not immerse the appliance cord or plug in water at any time.**

Toaster Oven:

Due to the manufacturing process, smoke and odor may be emitted during the first few uses. It is normal and causes no harm. We recommend pre-heating the toaster oven/broiler to eliminate the smoke and odor.

1. Ensure timer is set to the "OFF" position and plug into a 120V AC outlet.
2. Set the timer and pre-heat the oven for 15 minutes at the maximum temperature or until smoke and odor no longer exist.
3. Turn the timer to the "OFF" position and remove the plug from wall outlet.

Timer:

1. Always use timer control to turn ON the oven and griddle. To turn the oven on, turn the timer dial clockwise to select the time (maximum 15 minutes). Choosing "Stay ON" will leave the oven on continuously.
2. At the end of the programmed time the timer will ding loudly and the oven will switch OFF automatically.
3. The cooling process may be manually turned off by turning the timer dial counter clockwise to the "OFF" position.

Heating Function Selector

OFF	Appliance switched off
UP	Upper element only switched on
DOWN	Lower element only switched on
UP and DOWN	Both elements switched on

Note:

- In general, it is advisable to begin cooking with the selector in the UP & DOWN position, and then turn it to the upper or lower position after a few minutes depending on the size and shape of the food.
- You need to turn on the timer or set it to "Stay On" to start the power.

HOW TO USE OVEN

1. Preheat the oven for 2 minutes. Especially when using the baking tray. When toasting, place the food directly on the grill, without the baking tray. Keep the door closed while the oven is in use.
2. The oven may be used to defrost and heat up frozen food; the time will depend on the size and temperature of the food.
3. To ensure uniform defrosting, divide the food into small pieces and wrap them in aluminum foil.

HOW TO USE OVEN

1. Fill the glass carafe with cold water. Open water tank lid and pour into tank.
2. Close water tank lid.
3. Swing open filter cone, remove reusable filter and fill with coffee. Replace reusable filter to swinging basket and push closed until it snaps into place.
4. Place glass carafe under filter cone and turn coffee maker switch on.
5. As long as at least one cup remains, continuing to keep the glass carafe on the hot plate can keep the coffee or tea inside warm. Turn off if empty.

CAUTION:

- Never operate oven with door completely open.
- Always use heatproof containers. Make sure the container fits properly prior to use.
- All cooking containers must be placed on the bake rack. Never set the broiler tray directly on the lower heating elements. If you need to use the broiler tray to cook, place it on the chrome bake rack, and then slide the rack into proper rack slot.
- Remove all paper and plastic from any TV dinner dish before placing it in the toaster oven. Always read the cooking instructions on the package of TV dinner to make sure that it is toaster oven safe.
- Always use oven mitts or hot pads to remove food and trays from oven.
- Always make sure to shut-off and unplug the oven when not in use. To shut-off the unit in the middle of operation, turn the timer to "OFF".
- When removing a hot dish, never pull the rack more than halfway out; Make sure the rack sits securely in the rack slot.

Helpful Tip

The toaster oven has been designed to utilize everyday recipes, but temperatures and times may vary. We recommend you monitor the cooking process by checking your meals frequently during operation to ensure ideal cooking results.

HOW TO CLEAN

Always unplug unit and allow to cool completely before cleaning.

1. Use a damp cloth to clean the outside, and a dry one to clean the inside. Never use abrasive detergents or products that cause scratching.
2. The broiler rack and bake rack are dishwasher safe. The crumb collector tray may be removed and cleaned with a damp cloth. Dry completely before returning to the toaster oven. Clean the crumb tray on a regular basis.
3. Take special care not to touch the heating elements when cleaning the inside of the oven.

CAUTION:

- Make certain crumb tray is cleaned on a regular basis. Built up crumbs can cause the unit to start on fire.

LIMITED WARRANTY

Aroma Housewares Company warrants this product free from defects in material and workmanship for one year from provable date of purchase in continental United States.

Within this warranty period, Aroma Housewares Company will repair or replace, at its option, defective parts at no charge, provided the product is returned, freight prepaid with proof of purchase and U.S. \$6.00 for shipping and handling charges payable to Aroma Housewares Company. Before returning an item, please call the toll free number below for return authorization number. Allow 2-4 weeks for return shipping.

This warranty does not cover improper installation, misuse, abuse or neglect on the part of the owner. Warranty is also invalid in any case that the product is taken apart or serviced by an unauthorized service station.

This warranty gives you specific legal rights and which may vary from state to state and does not cover areas outside the United States.

AROMA HOUSEWARES COMPANY
6469 Flanders Drive
San Diego, California 92121
1-800-276-6286
M-F, 8:30 AM - 5:00 PM, Pacific Time
Website: www.aromaco.com