

AROMA®

5-Quart Professional Wok



Instruction Manual & Recipe Guide

AEW-355

Congratulations on your purchase of the **AROMA** Electric Wok. It will surely become one of the most useful and versatile appliances in your modern kitchen.

Please read all instructions before your first use.



Published By:

Aroma Housewares Co.
6469 Flanders Drive
San Diego, CA 92121
U.S.A.
1-800-276-6286
www.aromaco.com

© 2004 Aroma Housewares Company All rights reserved.

IMPORTANT SAFEGUARDS

Basic safety precautions should always be followed when using electrical appliances, including the following:

1. Important: Read all instructions carefully before first use.
2. Do not touch hot surfaces. Use handles or knobs.
3. To protect against electrical shock, do not immerse cord, plug or the appliance itself in water or other liquid.
4. Close supervision is necessary when the appliance is used near children.
5. Unplug from outlet when not in use and before cleaning. Allow unit to cool before putting on or taking off parts, and before cleaning the appliance.
6. Do not operate any appliance with a damaged cord or plug or after the appliance malfunctions or has been damaged in any manner. Return appliance to the nearest authorized service facility for examination, repair or adjustment.
7. The appliance inlet must be dried completely after cleaning before appliance is used again.
8. Do not use attachments or accessories other than those supplied or recommended by the manufacturer. Incompatible parts create a hazard.
9. Do not use outdoors.
10. Do not let cord hang over edge of table or counter, or touch hot surfaces.
11. Do not place on or near a hot burner or in a heated oven.
12. Do not use the appliance for other than intended use.
13. Do not clean with metal scouring pads. Pieces can break off the pad and touch electrical parts, creating a risk of electric shock. Metal-scouring pads may also damage the finish.
14. Always unplug from the base of the wall outlet. Never pull on the cord.
15. Extreme caution should be exercised when using or moving the appliance containing hot oil or other hot liquids.
16. The wok should be operated on a separate electrical circuit from other operating appliances. If the electric circuit is overloaded with other appliances, this appliance may not operate properly.
17. Store in a cool, dry place.
18. To disconnect, move the temperature controller to OFF position before unplugging the wok from the electric outlet.
19. Place the electric wok on a flat and heat-resistant surface, and use it in a well-ventilated area.
20. Do not place the wok too close to the edge of the table or countertop as the wok might be knocked off.
21. The heating base and the other parts might become very hot. Be sure to use the handles and wear protective oven mitts or gloves.
22. Check the handles on a regular basis to ensure that they are firmly attached to the pan.

SAVE THESE INSTRUCTIONS

SHORT CORD INSTRUCTIONS

1. A short power-supply cord is provided to reduce risk resulting from entanglement or tripping over a longer cord.
2. Longer extension cords are available and may be used if care is exercised.
3. If a longer extension cord is used:
 - a. The marked electrical rating of the extension cord should be at least as great as the electrical rating of the appliance.
 - b. The longer cord should be arranged so that it will not drape over the counter top or tabletop where it can be pulled by children or tripped over unintentionally.

POLARIZED PLUG

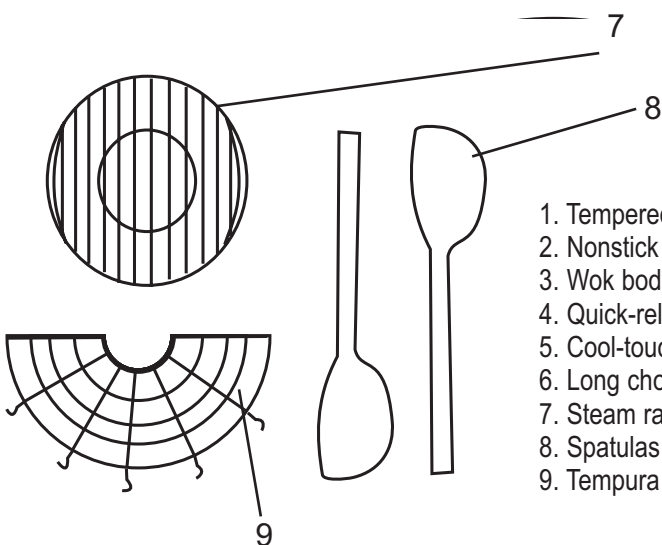
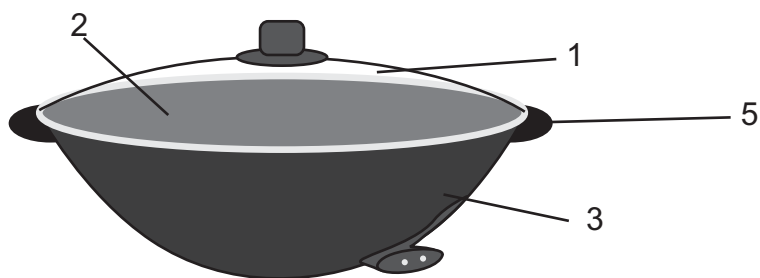
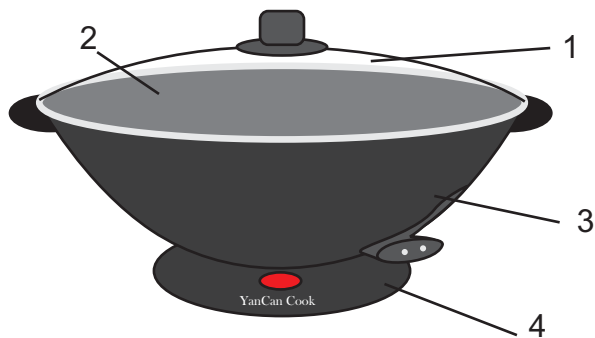
This appliance has a **polarized plug** (one blade is wider than the other); follow the instructions below:

To reduce the risk of electric shock, this plug is intended to fit into a polarized outlet only one way. If the plug does not fit fully into the outlet, reverse the plug. If it still does not fit, contact a qualified electrician. Do not attempt to modify the plug in any way.



This appliance is for household use only.

PARTS IDENTIFICATION



1. Tempered glass lid
2. Nonstick interior surface
3. Wok body
4. Quick-release detachable base
5. Cool-touch handles
6. Long chopsticks
7. Steam rack
8. Spatulas
9. Tempura rack

HOW TO USE

Before First Use:

1. Read all instructions and important safeguards.
 2. Remove all packaging materials and make sure items are received in good condition.
 3. Tear up all plastic bags as they can pose a risk to children.
 4. Wash the wok in warm, soapy water. Rinse and dry thoroughly.
 5. Place wok on a dry and level countertop or table. Keep the edge of the wok 2-4 inches away from any walls and objects on the countertop or table.
 6. Set the wok on the detachable heating base, and shift to make sure it sits securely in the right position of the base.
 7. Condition the wok surface with 1 to 1½ tablespoons of cooking oil; use a kitchen paper towel to wipe it thoroughly.
- **Do not use abrasive cleaners or scouring pads.**
 - **Do not immerse the wok base, cord or plug in water at any time.**

To Use:

1. Attach the power cord to the wok and plug it into a proper electrical outlet.
 2. Add cooking oil and adjust the cooking temperature to the desired setting. When the indicator light goes off, the temperature has been reached and the wok is ready.
- **Do not add oil or other liquid to the wok if already heated.**
 - **Do not cover the wok with lid when heating up the cooking oil.**
3. When the oil is warm, add food and begin cooking.
 4. When cooking is complete, move the temperature controller to OFF position and take the food out of the wok right away.
 5. Unplug the power cord from the wall immediately after you are finished cooking. When cool, remove the temperature control probe. Allow the wok to cool completely before cleaning.

CAUTION:

- Wok heats up fast. Be sure to prepare all the ingredients first and place them near cooking area before the wok is plugged in.
- Hold one of the wok handles with a hot pad or oven mitt when you stir-fry a large portion of food.
- Wok base is extremely hot. Do not touch the base of the wok during or after cooking.

HOW TO CLEAN

Always unplug unit and allow to cool completely before cleaning.

1. Move the temperature control to OFF position and unplug the power cord immediately after cooking. When cool, remove control probe and place aside.
 2. The lid and the body can be entirely immersed in water for cleaning. Always use a soft sponge or dishcloth to clean the glass lid.
 3. Clean thoroughly with warm, soapy water and a damp sponge or cloth. If necessary, add 2 cups of warm soapy water to the wok to soak for a half-hour and then clean.
 4. Thoroughly rinse and dry appliance before storing or using again.
- **Do not use harsh abrasive cleaners or products that are not considered safe to use on nonstick coatings.**
 - **The temperature control probe is NOT dishwasher safe. Do not immerse temperature control probe in water or any other liquid.**

RECIPES

Stir-Fried Beef with Snow Peas

¾ lb. flank steak, thinly sliced
2 cups snow peas, stem and strings removed
½ cup sliced mushrooms
½ cup sliced carrots or bamboo shoots
1 tbsp dark soy sauce
1½ tsp cornstarch
¼ tsp sugar
4 tsp vegetable oil
1 tsp sesame oil (optional)
½ tsp salt

Marinate sliced beef in mixture of soy sauce, cornstarch, sesame oil and sugar. Set aside. Heat 2 tbsps of vegetable oil in wok. Stir-fry all the vegetables for about 2-3 minutes. Sprinkle with ½ tsp of salt while stirring. Remove, place in bowl and set aside. Heat the remaining oil in the wok. Add the marinated beef and stir constantly for about 3-4 minutes or until it is almost done. Return the cooked vegetables to the wok and mix thoroughly. Serves 4.

Mandarin Chicken

1½ lbs. boneless, skinless chicken breasts, cut into ¾" cubes
1 egg white, slightly beaten
¾ tsp salt
½ tsp cornstarch
3 green onions, cut into ½" pieces
1½ tsp hoisin sauce
¾ tsp dark soy sauce
2 cups vegetable oil
dash of white pepper

Season chicken cubes with egg white, salt, cornstarch and white pepper. Cover and refrigerate for 10-15 minutes. Heat oil in the wok. Stir-fry chicken cubes for 2-3 minutes or until meat turns white, separating all pieces while stirring. Drain well and set aside. Pour all but 2 tbsps of oil from the wok. Heat the wok again and add green onions, hoisin sauce, then chicken. Stir well, then add soy sauce. Serves 4.

RECIPES

Stir-Fried Pork with Green Beans

½ lb. lean pork cut into thin strips
1 cup green beans
2 dried Chinese mushrooms, presoaked, sliced
½ cup bamboo shoots, sliced into long shoestrings
1 stalk celery, thinly sliced
1 tsp salt
3 tbsp vegetable oil
¼ tsp sugar
1 tsp rice wine
1½ tsp soy sauce
1 clove garlic crushed
½ green onion, minced
¾ cup chicken broth or water

To Thicken:

2 tsp cornstarch
1 tsp sherry
1 tbsp water
1 tbsp oyster sauce

Blanch green beans for about 2 minutes, cut into 1" length. Set aside. Stir-fry garlic in 2 tsp of heated oil with a little bit of salt. Add pork strips, stir-fry quickly until meat whitens. Remove and set aside. Heat the remaining oil. Add green onion, mushrooms, bamboo shoots, celery, and blanched green beans, stir fry for 2 minutes, then add soy. Add the cooked pork and chicken broth and bring to boil. Reduce heat, cover wok and cook for 1 minute. Add thickening ingredients and stir. Mix thoroughly. Serves 4.

Asparagus in Crab Meat Sauce

2 lb. fresh asparagus
3 oz. crab meat, fresh, frozen or canned
3 tbsp peanut oil
1 tsp salt
1 cup and 2 tbsp. chicken broth
2 egg whites, beaten
2 tbsp cornstarch for thickening

Shred crab meat. (If using canned crab meat, drain well). Remove white part of asparagus spears and peel tough skin. Cut diagonally into 2" lengths, rinse well and drain. Heat the wok with 2 tbsps of oil. Stir-fry asparagus. Add salt and 2 tbsps of chicken broth. Cook for 3-4 minutes or until soft. Remove and set aside. Heat 1 tbsp of oil. Add shredded crab meat and stir-fry for 30 seconds. Add asparagus with 1 cup of chicken broth and cornstarch. Stir-fry for another 30 seconds. Beat egg white again and pour over crab meat and asparagus. Stir and heat thoroughly. Serves 4.

RECIPES

Rainbow Shrimp

4 oz. medium-sized peeled shrimp
1 cup green peas
½ cup diced carrots
¼ cup diced bamboo shoots
1 green onion, cut 1" length
1 egg white, slightly beaten
2 tsp cornstarch, divided
1 tsp sherry
½ tsp salt
2 slices fresh ginger root
4 tbsp oil

To Thicken:

2 tsp cornstarch
1 tsp sherry
1 tbsp water
1 tbsp oyster sauce

With knife, butterfly and devein shrimp. Combine shrimp with egg white, 1 tsp cornstarch, salt and sherry; refrigerate 10-15 minutes. Heat 1 tsp of oil, stir-fry peas, carrot and bamboo shoots, sprinkled with salt, for 1 minute. Remove from wok and set aside. Heat the remaining oil and add green onion pieces and ginger. Add shrimp and stir until shrimp turn pink. Add vegetables and thickening ingredients. Stir well. Serves 4.

Chicken Fried Rice

1 skinless, boneless chicken breast, cut into small cubes
1 cup of cooked vegetables (sugar peas, carrots, chopped cabbage)
3 eggs, slightly beaten
3 cups cooked long-grain rice, cool
1 tbsp vegetable oil
½ cup Chinese parsley
¼ cup green onion, thinly sliced
1 or 2 tbsp dark soy sauce
1 tsp salt
Dash of white pepper

Marinate cubed chicken with cornstarch, soy sauce, and sugar in a bowl. Refrigerate about 30 minutes. Heat the wok with 2 tbsps of oil. Add chicken and stir-fry until it turns white. Remove and set aside. Heat the wok with 1 tbsp of oil; tilt wok to coat sides. Stir-fry eggs until thickened. Heat the remaining oil in the wok. Add rice and 1 tbsp of water. Cover and braise over a slow heat for 1 minute. Stir-fry for 1 minute. Add eggs, chicken, vegetables, green onion and white pepper powder. Stir-fry one minute. Serves 4.

RECIPES

Wok Chicken Salad

2 chicken breasts, de-boned
1 head iceberg lettuce, shredded
½ cup seasoning soy sauce
1 clove of garlic, grated
1 small piece ginger, minced
2 tsp sugar
1 tsp Lawry's Seasoning
½ cup Chinese parsley
¼ cup green onion, thinly sliced
2 tbsp sesame seeds
Sesame oil
Oil for deep frying
Celery salt for taste

Marinate chicken with soy sauce, garlic, sugar and ¼ tsp Lawry's Seasoning in a bowl. Refrigerate for about one hour. Heat oil and deep-fry chicken until golden brown. Drain and cool. Shred chicken. Season to taste with celery salt and additional Lawry's Seasoning. Place in a large bowl. Mix well with green onion, Chinese parsley and lettuce. Sprinkle with sesame seeds and a little sesame oil. Serve chilled. Serves 4.

Cathay Chicken

8 small chicken drumsticks
2 green onions
4 slices fresh ginger root
1 tbsp sherry
¼ cup dark soy sauce
1 tbsp sugar
3 tbsp vegetable oil
Chinese parsley for garnish

Wash chicken drumsticks. Pat dry. Cut green onion into 3 three pieces. Heat the wok with vegetable oil. Stir-fry ginger root and green onion. Add drumsticks, sherry, soy sauce, sugar, and ½ cup of water. Let drumsticks gently boil under medium heat until most of the juice is gone. Turn occasionally. Remove and set on plate. Garnish with parsley and serve. Serves 4.

LIMITED WARRANTY

Aroma Housewares Company warrants this product free from defects in material and workmanship for one year from provable date of purchase in continental United States.

Within this warranty period, Aroma Housewares Company will repair or replace, at its option, defective parts at no charge, provided the product is returned, freight prepaid with proof of purchase and U.S. \$8.00 for shipping and handling charges payable to Aroma Housewares Company. Before returning an item, please call the toll free number below for a return authorization number. Allow 2-4 weeks for return shipping.

This warranty does not cover improper installation, misuse, abuse or neglect on the part of the owner. Warranty is also invalid in any case that the product is taken apart or serviced by an unauthorized service station.

This warranty gives you specific legal rights which may vary from state to state and does not cover areas outside the United States.

AROMA HOUSEWARES COMPANY

6469 Flanders Drive

San Diego, California 92121

1-800-276-6286

M-F, 8:30 AM - 5:00 PM, Pacific Time

Website: www.aromaco.com