

CUSTOMER SERVICE

If service is required or if this product fails to meet your satisfaction during the warranty period, return the product with receipt to the nearest Kmart, Big Kmart, or Super Kmart for replacement or refund.



Electric Grill

OWNER'S MANUAL

PRODUCT CODE:
0-688282-110

CAUTION:
Carefully Read Instructions and
Procedures for Safe Operation

Date of Purchase:

____/____/____

Receipt of Purchase:

Attach Here

Made in China for
Kmart Corporation
Troy, Michigan 48084

SHOP: www.kmart.com

UPC CODE:
0-7200083993-5

Congratulations!

Your Electric Grill will surely become one of the most versatile and fun appliances in your home.

Please read the following instructions carefully before your first use.

HOW TO CLEAN

1. Before cleaning, unplug the appliance from the wall outlet and allow to cool completely to avoid accidental burns.
2. Stubborn grease build-up: Use a wet sponge with very warm soapy water.
3. Empty the grease tray and wipe clean.
4. Outside and warming plate cleaning: Wipe dry with a soft cloth.
5. Do not use steel wool, scouring pads or abrasive cleaners.

Other than the cleaning mentioned in this manual, no other servicing or maintenance of this appliance is required. Repairs, if necessary, must be performed by an authorized service center.

DO NOT IMMERSE IN WATER OR ANY LIQUID.

Made in China for
Kmart Corporation
Troy, Michigan 48084

SHOP www.kmart.com

HOW TO USE

1. Before using for the first time, wipe all surfaces with a damp cloth, then dry with cloth or tissue.
 2. Insert the plug into the wall outlet.
 3. Preheat the grill: Close the cover and plug cord into a 120V AC outlet. The power light will go illuminte indicating that the elements are heating. The light will go out when the unit is ready to use.
 4. Carefully open the lid. Preferably using a “pot-holder”.
 5. Carefully place the items to be cooked on the cooking plate.
 6. Close the cover and allow food to cook for the desired time. The power light may flicker indicating that the elements are maintaining the proper temperature.
 7. After the desired amount of time, remove the food using plastic or wooden utensils to avoid damaging the nonstick coating. Never use metal tongs, forks, or a knife as these can damage the coating.
 9. Disconnect the plug from the wall outlet and allow unit to cool.
 10. When cool, clean the grease with a damp cloth or tissue paper. Be sure that all liquids are cooled before beginning cleaning.
- **Do not use abrasive cleaners or scouring pads.**
- **Do not immerse the rice cooker base, cord or plug in water at any time.**

Hints for best results:

1. **Always preheat for 5 minutes before use.**
2. **Have all the ingredients at hand before cooking starts.**
3. **Always aim to measure as accurately as you can, especially when cooking with unfamiliar ingredients. Experience and personal taste will dictate the correct proportions in future preperations.**

Note:

- The electric grill may give off a slight odor and smokey haze during the first use. this is normal for first use and will not cause harm to you or the product.

IMPORTANT SAFEGUARDS

When using this electrical appliance, basic safety precautions should always be followed, including the following:

1. Important: Read all instructions carefully before first use.
2. Do not touch hot surfaces. Use handles or knobs.
3. To protect against electrical shock, do not immerse cord, plug or the appliance itself in water or other liquid.
4. Close supervision is necessary when the appliance is used near children. This appliance is not intended to be used by children.
5. Unplug from outlet when not in use and before cleaning. Allow unit to cool before putting on or taking off parts, and before cleaning the appliance.
6. Do not operate any appliance with a damaged cord or plug or after the appliance malfunctions or has been damaged in any manner. Return appliance to the nearest authorized service facility for examination, repair or adjustment.
7. The appliance inlet must be dried before appliance is used again
8. Do not use attachments or accessories other than those supplied or recommended by the manufacturer. Incompatible parts create a hazard.
9. Do not use outdoors.
10. Do not let cord hang over edge of table or counter, or touch hot surfaces.
11. Do not place on or near a hot burner or in a heated oven.
12. Do not use the appliance for other than intended use.
13. Do not clean with metal scouring pads. Pieces can break off the pad and touch electrical parts, creating a risk of electric shock. Metal-scouring pads may also damage the finish.
14. Always unplug from the base of the wall outlet. Never pull on the cord.
15. Store in a cool, dry place.
16. To disconnect, gently unplug the appliance from the electric outlet. Never tug on the cord to disconnect.

SAVE THESE INSTRUCTIONS

SHORT CORD INSTRUCTIONS

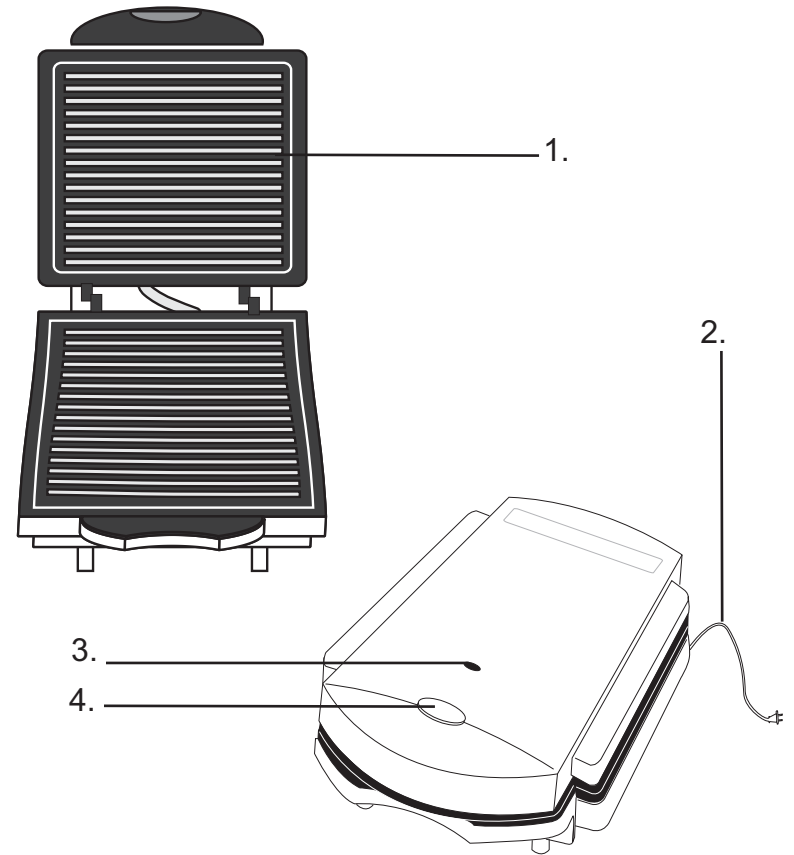
1. A short power-supply cord is provided to reduce risk resulting from becoming entangled in or tripping over a longer cord.
2. Longer extension cords are available and may be used if care is exercised in their use.
3. If a longer extension cord is used:
 - a. The marked electrical rating of the extension cord should be at least as great as the electrical rating of the appliance.
 - b. The longer cord should be arranged so that it will not drape over the counter top or tabletop where it can be pulled by children or tripped over unintentionally.

POLARIZED PLUG

This appliance has a **polarized plug** (one blade is wider than the other); follow the instructions below:

To reduce the risk of electric shock, this plug is intended to fit into a polarized outlet only one way. If the plug does not fit fully into the outlet, reverse the plug. If it still does not fit, contact a qualified electrician. Do not attempt to modify the plug in any way.

PARTS IDENTIFICATION



1. Nonstick grilling plates
2. Power cord and plug
3. Ready-indicator light
4. Open button

This appliance is for household use only.