

HOME PRIDE

3-in-1 Coffee Maker, Toaster and Grill



Instruction Manual &
Cooking Guide

Model: TK243

CUSTOMER SERVICE

For all customer service inquiries, please contact:

Strong Ideas Corp.
AROA Marketing , Inc.
12621 Encinitas Ave.,
Sylmar, CA 91342, USA
Tel: 1-818-833-4860

Congratulations on your purchase of the Home Pride 3-in-1 Coffee Maker, Toaster and Grill. It will surely become one of the most versatile and practical appliances in your kitchen.

Please read all instructions before first use.

Published By:

Strong Ideas Corp.
AROA Marketing , Inc.
12621 Encinitas Ave.,
Sylmar, CA 91342, USA
Tel: 1-818-833-4860

© 2004 Strong Ideas Corp. All rights reserved.

IMPORTANT SAFEGUARDS

When using this and other electrical appliances, the basic safety precautions listed should always be followed:

1. Read all the Instructions carefully when any appliance is used.
2. Do not touch hot surfaces. Use handles or knobs. Metal surfaces become extremely hot.
3. To prevent against electrical hazards, do not immerse cord, plug or appliance in water or other liquid. See instructions for cleaning.
4. Close supervision is necessary when the appliance is used near children. This appliance is not intended to be used by children.
5. Unplug from outlet when not in use and before cleaning. Allow unit to cool before putting on or taking off parts, and before cleaning the appliance
6. Do not operate any appliance with a damaged cord or plug or after the appliance malfunctions or has been damaged in any manner. Return appliance to the nearest authorized service facility for examination, repair or adjustment.
7. Do not use attachments or accessories other than those supplied or recommended by the manufacturer. Incompatible parts create a hazard.
8. Do not use outdoors.
9. Do not let cord hang over edge of table or counter or touch hot surfaces.
10. Do not place appliance on, or near, a hot gas or electric burner, or a heated oven.
11. To disconnect, grasp plug at the base and remove from outlet. Never unplug by pulling on the cord.
12. Do not use appliance for other than intended use.
13. Oversized foods, metal foil packages or utensils must not be inserted in the appliance as they may involve a risk of fire or electric shock.
14. A fire may occur if toasters are covered or touching flammable material, including curtains, draperies, walls, and the like, when in operation.
15. Do not attempt to dislodge food when the appliance is plugged into electrical outlet.
16. To avoid possibility of fire, do not leave appliance unattended during use.
17. Clean out accumulated crumbs & oils frequently to avoid risk of fire or appliance malfunction. Do not use foods that will drip coatings or fillings when heated. Such accumulations inside the toaster create unsanitary conditions and the possibility of fire or appliance malfunction.
18. Closely monitor cooking process as bread may burn during toasting.
19. Never operate the toaster without the crumb tray in place.

SAVE THESE INSTRUCTIONS

HOW TO CLEAN

Always unplug unit and allow to cool completely before cleaning.

- **Do not use harsh abrasive cleaners or products that are not considered safe to use on nonstick coatings.**
- **Do not immerse the temperature-control probe in water.**

Toaster Oven:

1. Wipe the exterior with a clean damp cloth and dry thoroughly. Apply any cleaning agent to cloth, not directly onto the toaster.
2. To remove crumbs, slide out the crumb tray and discard crumbs. Wipe clean and replace.

Grill:

1. Remove the grill surface and wash with warm soapy water.
2. Dry thoroughly and return to original position.

Coffee Maker:

1. Lift lid and remove filter.
2. Dump out the coffee grounds and wash filter in warm, soapy water.
3. Remove the coffee pot and wash in warm, soapy water.
4. Dry parts thoroughly and replace.

Descaling:

Descal your coffee maker as residue builds, or 2-3 times a year.

1. Operate the appliance as described. However, use ordinary vinegar to fill the water tank and do not fill the filter with ground coffee.
2. Let the appliance work twice more with only water to rinse away the vinegar and scale remainders.
3. Wash the coffee jug and filter holder.

HOW TO USE CONTINUED

To Make Toast:

1. Place bread, english muffin, bagel or other item to be toasted on the oven rack and close the door.
2. Turn timer knob to the desired cooking time (up to 12 minutes).
3. Press the toaster switch. When toasting is complete, toaster oven will chime and automatically turn off.

NOTE:

- For first few uses, monitor toasting process to familiarize with the cooking time.
- For slightly dry bread or only one slice of bread, use a shorter cooking time than normal.
- For fresh bread or whole wheat, use a longer cooking time than normal.
- Breads with very uneven surfaces (such as English muffins) or thick bread (such as bagels) will require a longer cooking time. Cut bagels or English muffins in half before toasting.
- When toasting raisin or other fruit breads, remove any loose raisins from the surface of the bread before placing into the toaster. This will help prevent pieces from falling into the toaster or sticking on the guard wire in the slot.
- Pastries: Exercise caution when toasting pastries. The filling can become quite hot long before the surface of the pastry becomes brown.

To Use Grill:

1. Place food on grill.
2. Select desired cooking time (up to 12 minutes) and press grill switch.
3. Closely monitor cooking, turning over if necessary.
4. Turn grill off when cooking is complete. When timer is done, grill will chime.
5. Unplug unit and allow grill to cool before cleaning.

SHORT CORD INSTRUCTIONS

1. A short power-supply cord is provided to reduce risk resulting from becoming entangled in or tripping over a longer cord.
2. Longer extension cords are available and may be used if care is exercised in their use.
3. If a longer extension cord is used:
 - a. The marked electrical rating of the extension cord should be at least as great as the electrical rating of the appliance.
 - b. The longer cord should be arranged so that it will not drape over the counter top or tabletop where it can be pulled by children or tripped over unintentionally.

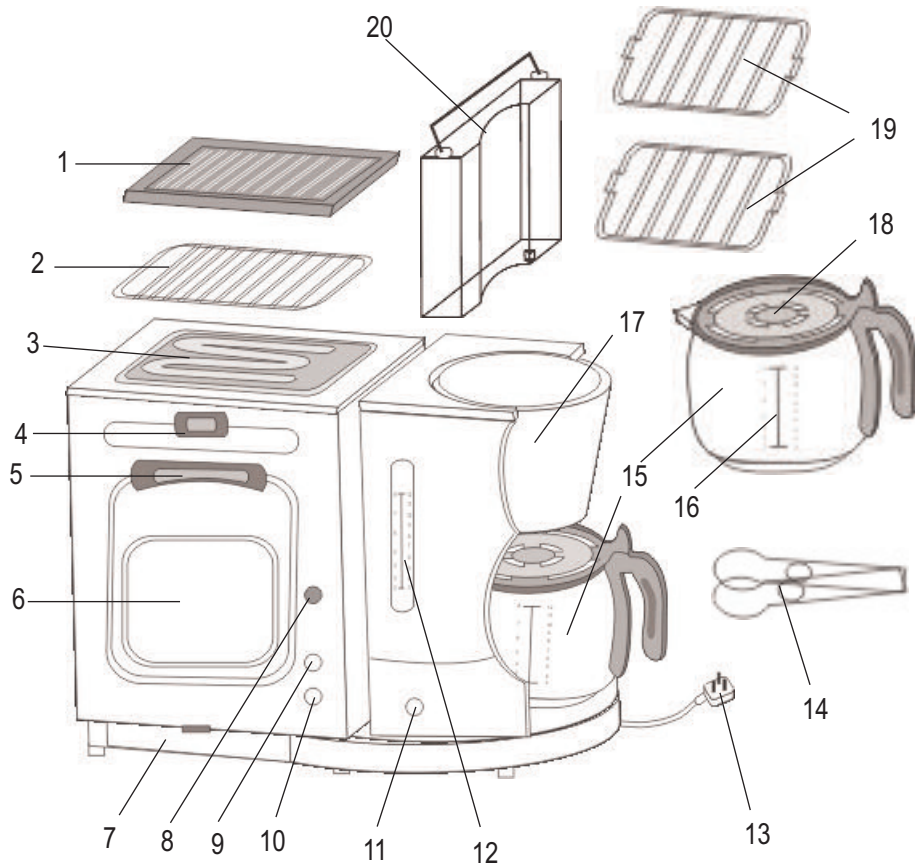
POLARIZED PLUG

This appliance has a **polarized plug** (one blade is wider than the other); follow the instructions below:

To reduce the risk of electric shock, this plug is intended to fit into a polarized outlet only one way. If the plug does not fit fully into the outlet, reverse the plug. If it still does not fit, contact a qualified electrician. Do not attempt to modify the plug in any way.

This appliance is for household use only.

PARTS IDENTIFICATION



- | | |
|----------------------------|----------------------------|
| 1. Grill Plate | 11. Coffee On/Off Switch |
| 2. Grill Rack | 12. Water Level Indicator |
| 3. Burners | 13. Plug |
| 4. Grill Crumb Tray | 14. Tongs |
| 5. Toaster Oven Handle | 15. Coffee Pot |
| 6. Toaster Oven Door | 16. Coffee Level Indicator |
| 7. Toaster Oven Crumb Tray | 17. Filter Compartment |
| 8. Indicator Light | 18. Coffee Pot Lid |
| 9. Grill On/Off Switch | 19. Toaster Oven Racks |
| 10. Toaster On/Off Switch | 20. Removable Water Tank |

HOW TO USE

Before First Use:

1. Remove all packaging from appliance. Check inside appliance slots for packaging and remove.
 2. Tear up all plastic bags as they can pose a risk to children.
 3. Wash accessories in warm soapy water. Rinse and dry thoroughly.
 4. Make sure the crumb tray is in place.
 5. Set up appliance on flat, stable countertop surface away from the edge and at least 3 inches away from wall or rear of counter.
 6. Unwind power cord and plug power cord into nearby outlet.
 7. Allow the new elements to preheat and burn off any dust that may have accumulated during assembly, and run the coffee maker without using grounds to clean the compartments.
- **Do not use abrasive cleaners or scouring pads.**
 - **Do not immerse the temperature-control probe in water.**

To Make Coffee:

1. Remove the water tank. Using fresh cold water only, fill to desired level and replace.
2. Place coffee filter in the upper compartment.
3. Measure and add coffee grounds. Take one heaped measuring spoonful of ground coffee for each cup.
4. Close the lid and press the coffee switch.

NOTE:

Drip-stop

The automatic stop-valve ensures that no coffee will drip on to the hotplate if the pot is removed from the appliance during or after brewing.

Automatic shut-off

For your convenience and safety, coffee maker will automatically switch off once it has reached optimum temperature, and switch back on if coffee begins to cool.